

The Anywhere Case

You Can Take It Anywhere

Brought to you by Team 19

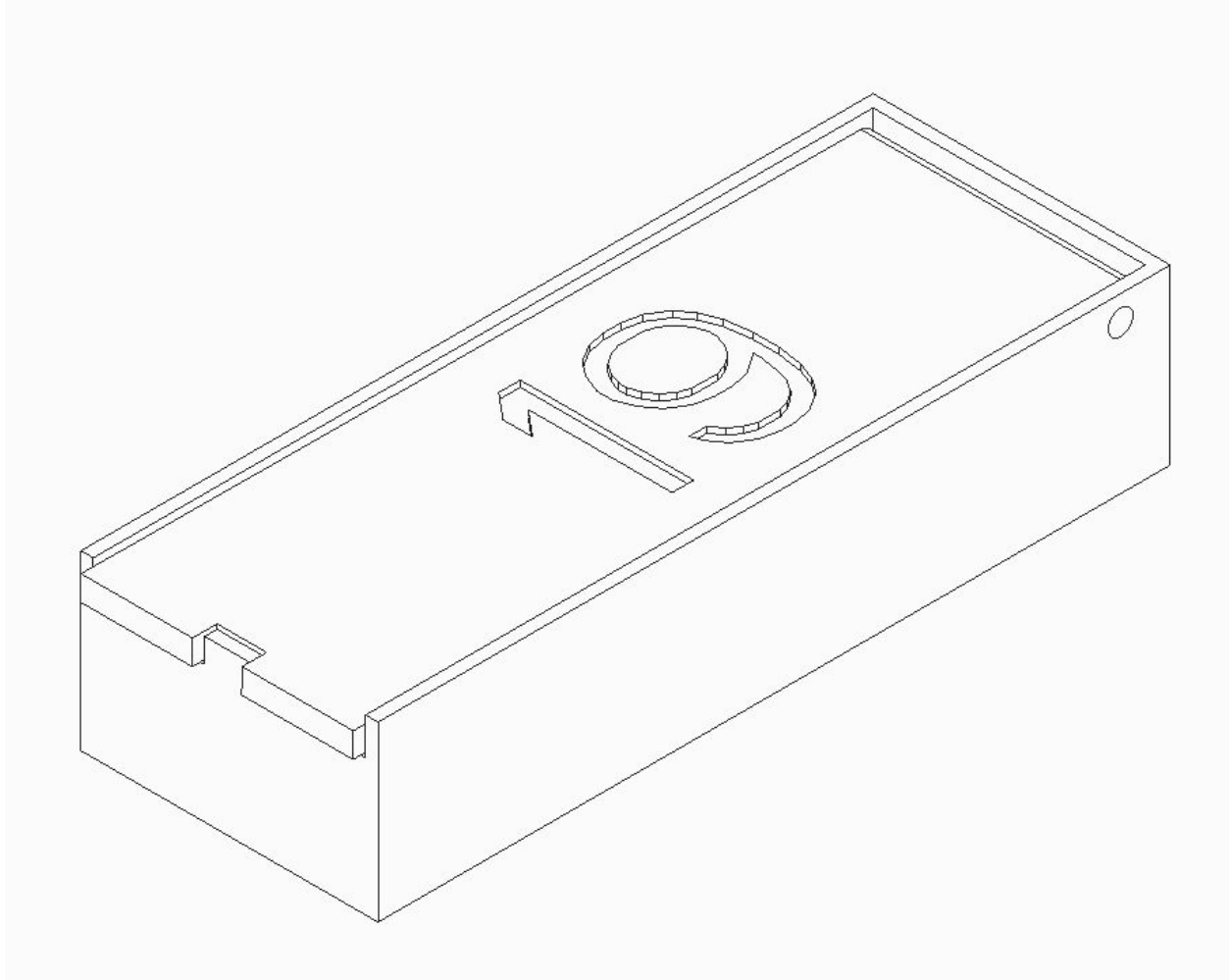


Table of Contents

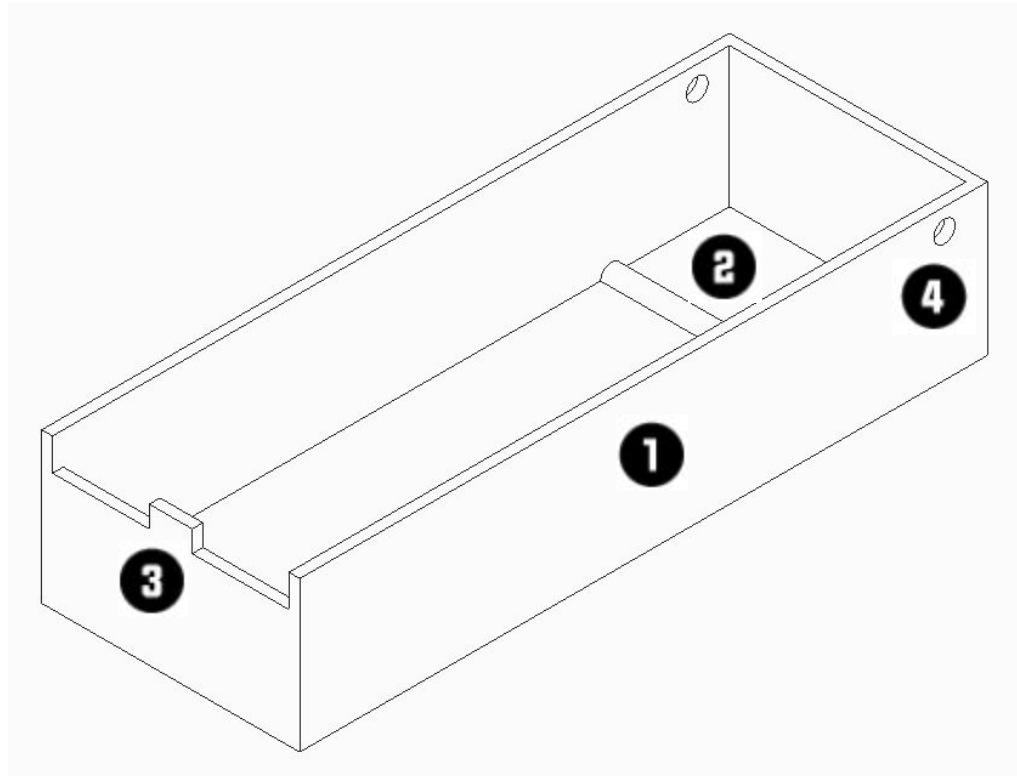
1. Parts List.....Pg 2
2. Instructions.....Pg 4
3. Warranty.....Pg 4
4. Service Center Contacts.....Pg 5

Parts List

Body:

The body of the Anywhere Case is a sleek box with dimensions of 8"X3"X1.75". The walls are 0.125" thick, so the Anywhere Case is guaranteed to survive your typical travel experience. Within the Body is a rounded extrusion. This extrusion serves as a stopper to allow you to lean your taller utensils against the lid and they will not slide down into the case. The front of the box has an extruded rectangle. This extrusion slides into the slot of the lid, and keeps the lid closed when the box is not in use by being a tight fit. The circular holes in the side of the case allow the lid to open and close.

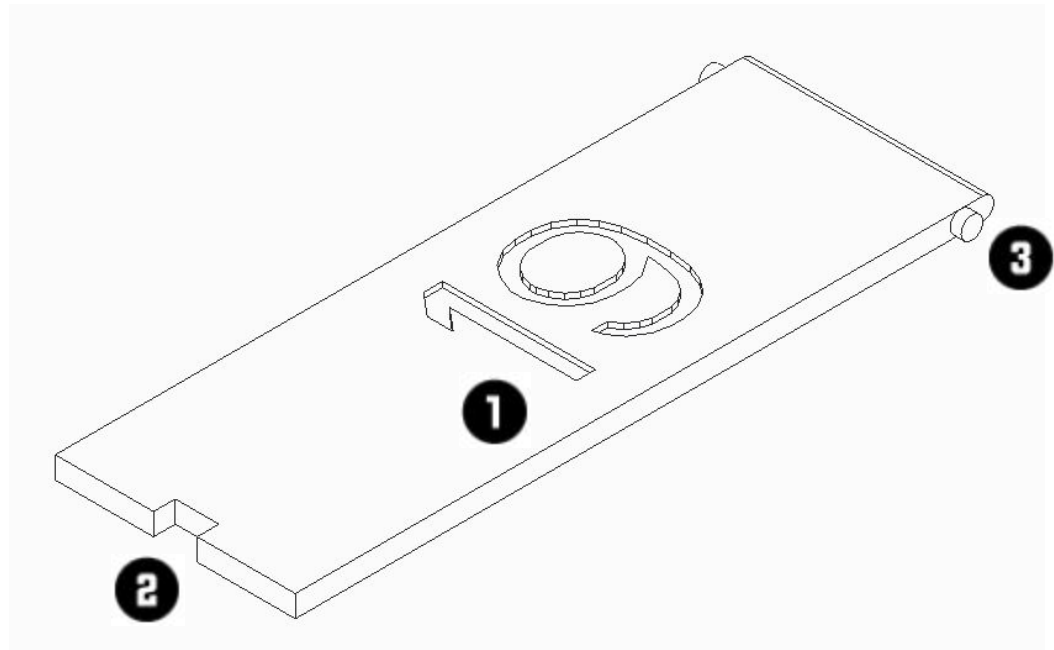
- 1: Walls
- 2: Stopper
- 3: Latch
- 4: Holes



Lid:

The lid of the Anywhere Case is slim rectangle with dimensions of 8"X2.75"X0.25. This sturdy lid will be able to protect everything that is inside the Anywhere Case from being crushed by luggage. In the middle of the lid is the Team 19 Logo. On one end of the lid is rectangular cutout which is a snug fit to the extruded part of the body. This slot is what keeps the lid closed without any effort. The rounded extrusions go inside the holes of the body, and allow the lid to open and close.

- 1: Logo
- 2: Slot
- 3: Hinge



Use

The Anywhere Case is easy to use. To open the case, apply a slight force underneath the extruded portion of the lid to snap it open. The case provides plenty of space to place typical toiletry items such as a toothbrush, razor, floss, comb, etc. If the case is open you can lean items against the lid and there is a stopper built into the case to keep them from sliding. To close the case simply snap the lid shut and the snug fit will keep it closed.

Assembly

No Assembly is required for the Anywhere Case. Team 19 provides the case fully constructed and ready for your travel needs.

Maintenance

To maintain your new Anywhere Case is simple. It is recommended that you wash your case at least once a week with warm soapy water in order to allow the case to maintain its sleek look and avoid bacteria buildup from trapped moisture in your case. Once finished, you should make sure to dry your case thoroughly so that no mold will grow.

Warranty

Thank you for purchasing the Anywhere Case that was produced by Team 19. If the product contains any defects, Team 19 will replace the product at no extra charge within 30 days of purchase. This does not include damage of the case through misuse, scratches, and or self alteration of the product.

Service Center Contacts

Marc Duemmler

mduemmle@uncc.edu

Michael Foster

mfoste43@uncc.edu

Wai Lam

wlam3@uncc.edu

Justin Shields

jshiel16@uncc.edu

Nathan Visco

nvisco@uncc.edu