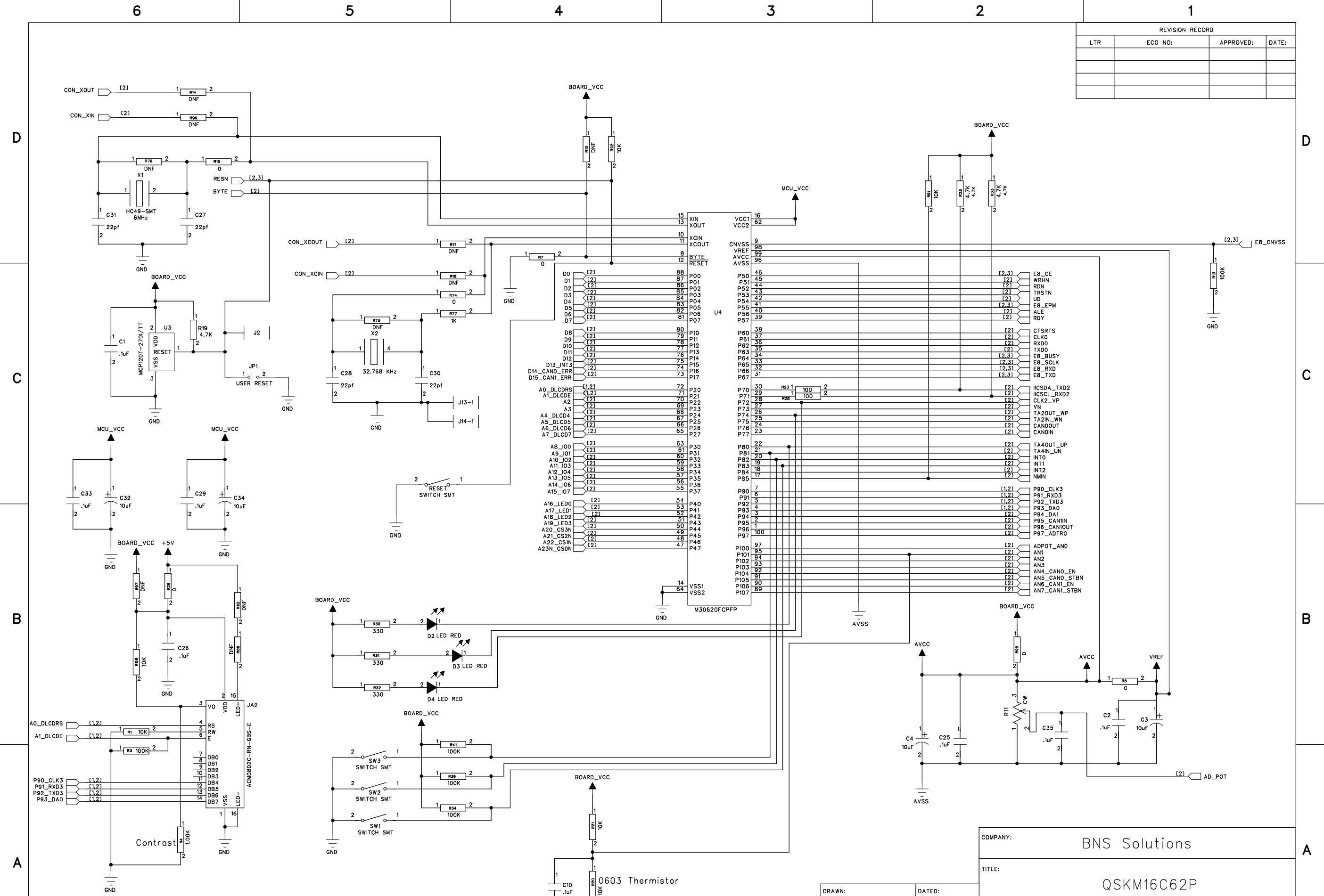


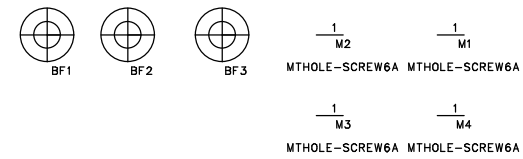
REVISION RECORD			
LTR	ECO NO:	APPROVED:	DATE:



COMPANY: BNS Solutions
 TITLE: QSKM16C62P

DRAWN:	WEF	DATED:	3/20/2009
CHECKED:	VGD	DATED:	3/20/2009
QUALITY CONTROL:	WEF3	DATED:	3/20/2009
RELEASED:	DL	DATED:	3/20/2009

CODE:	SIZE:	DRAWING NO:	REV:
C	None	None	C
SCALE: None		SHEET: 1 OF 3	



6

5

4

3

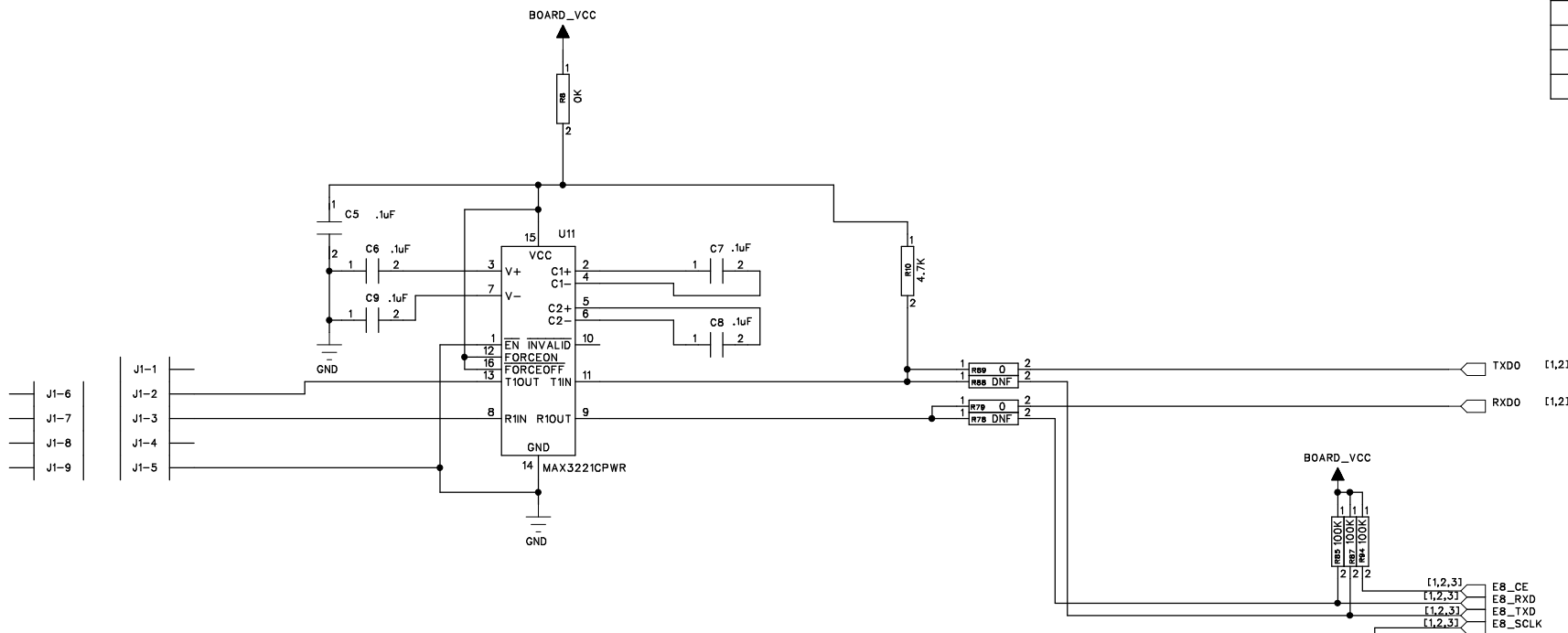
2

1

REVISION RECORD			
LTR	ECO NO:	APPROVED:	DATE:

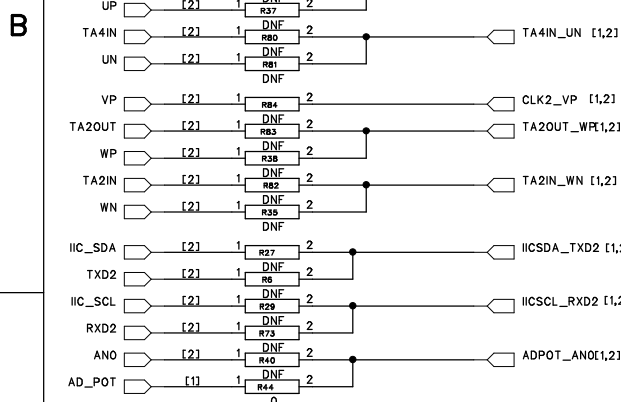
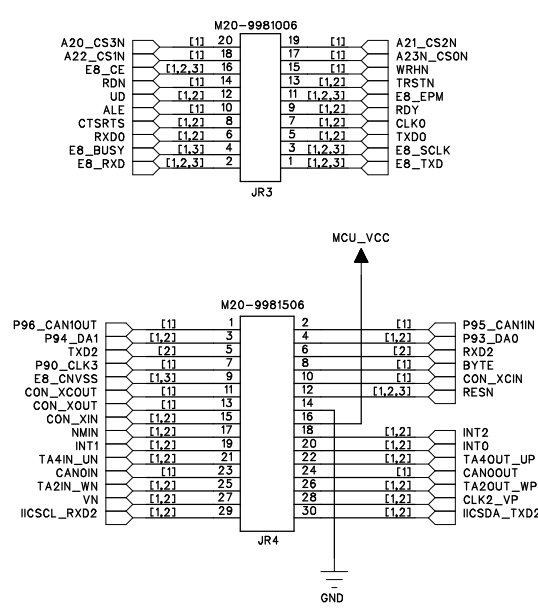
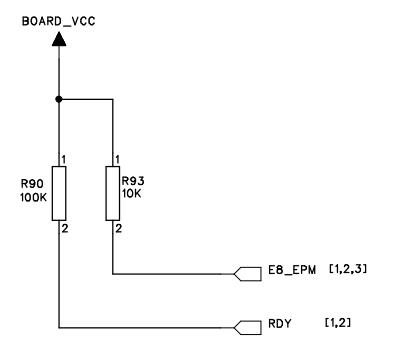
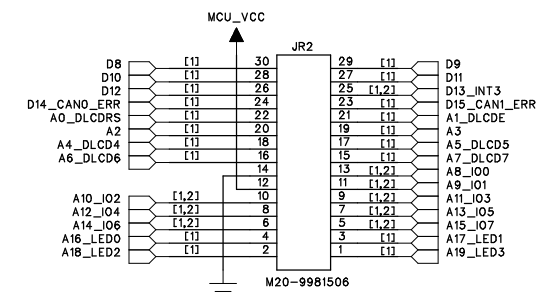
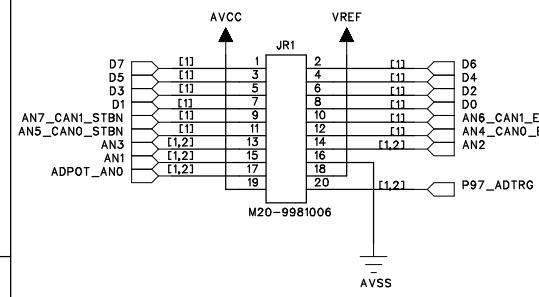
D

D



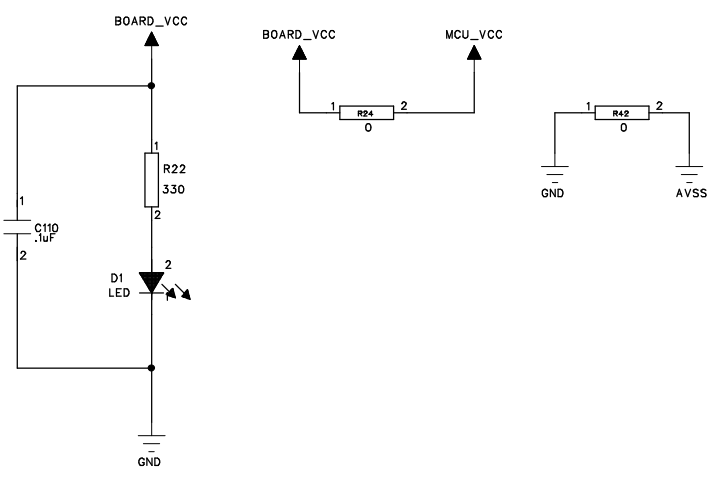
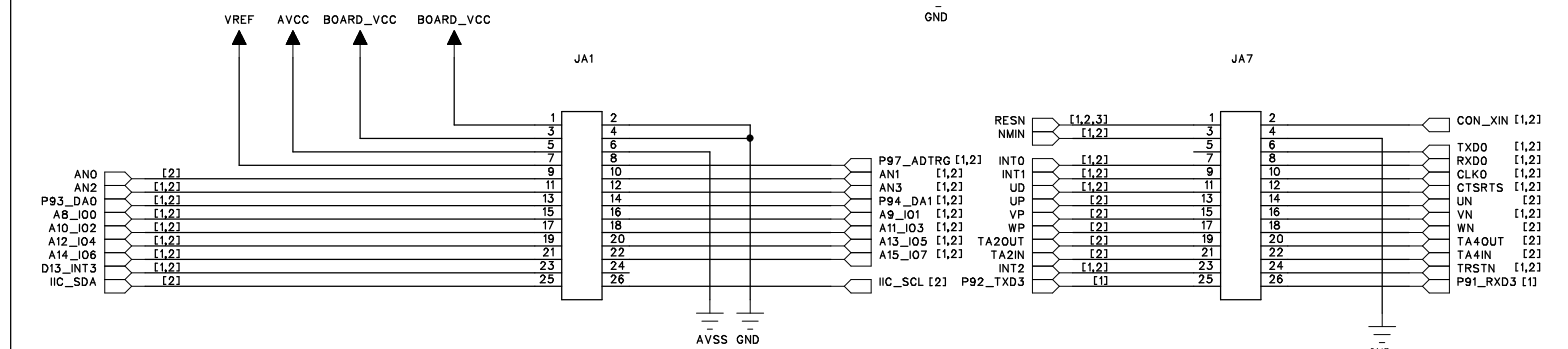
C

C



A

A



COMPANY: BNS Solutions			
TITLE: QSKM16C62P			
DRAWN: WEF	DATED: 3/20/2009	CODE:	SIZE: C
CHECKED: VGD	DATED: 3/20/2009	DRAWING NO: None	REV: C
QUALITY CONTROL: WEF3	DATED: 3/20/2009	SCALE: None	SHEET: 2 OF 3
RELEASED: DL	DATED: 3/20/2009		

6

5

4

3

2

1

D

D

C

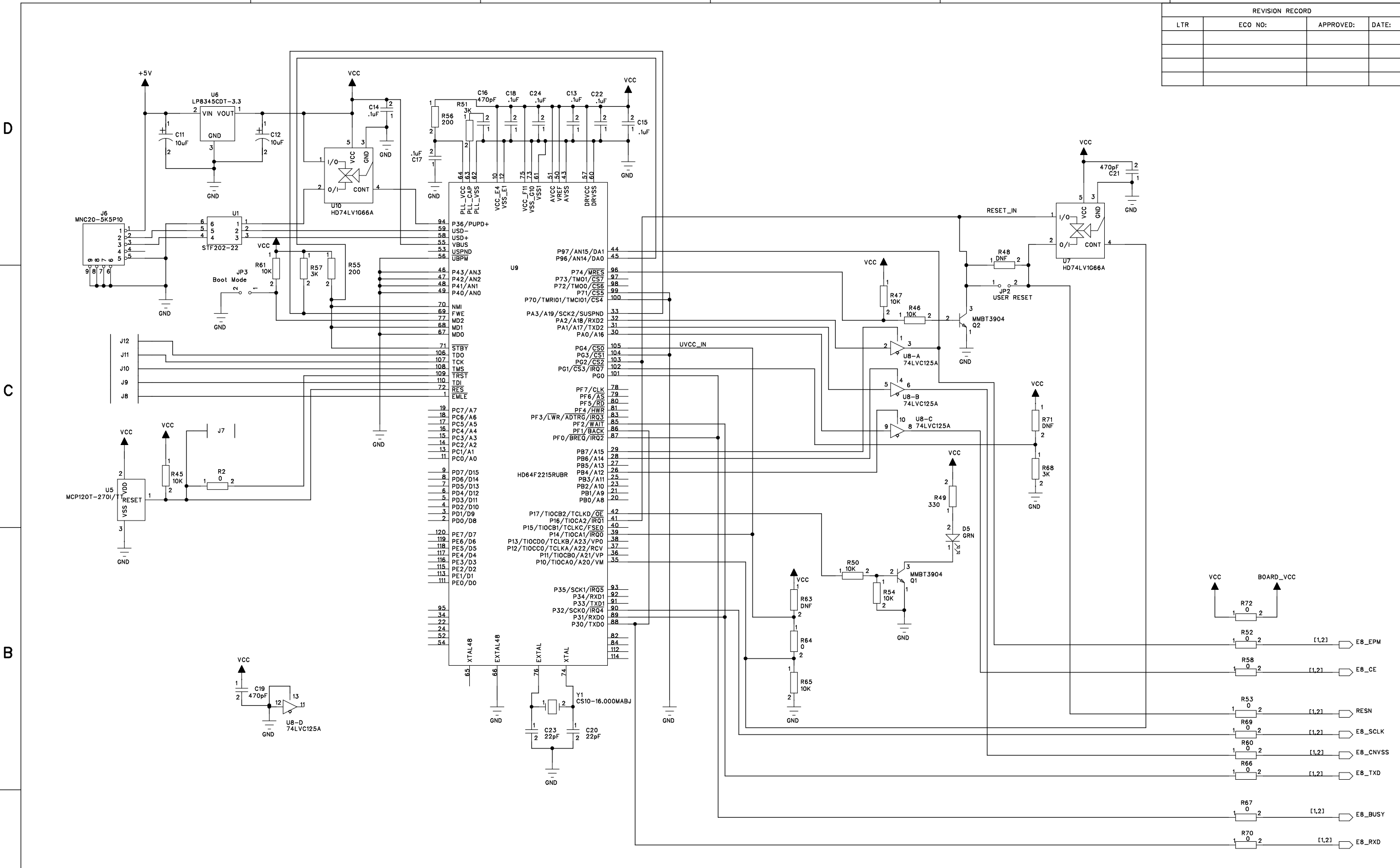
C

B

B

A

A



REVISION RECORD			
LTR	ECO NO:	APPROVED:	DATE:

COMPANY: BNS Solutions			
TITLE: QSKM16C62P			
DRAWN: WEF	DATED: 3/20/2009	CODE:	SIZE:
CHECKED: VGD	DATED: 3/20/2009	DRAWING NO: None	
QUALITY CONTROL: WEF3	DATED: 3/20/2009	C	C
RELEASED: DL	DATED: 3/20/2009	SCALE: None	
SHEET: 3 OF 3			