

Distributed by:

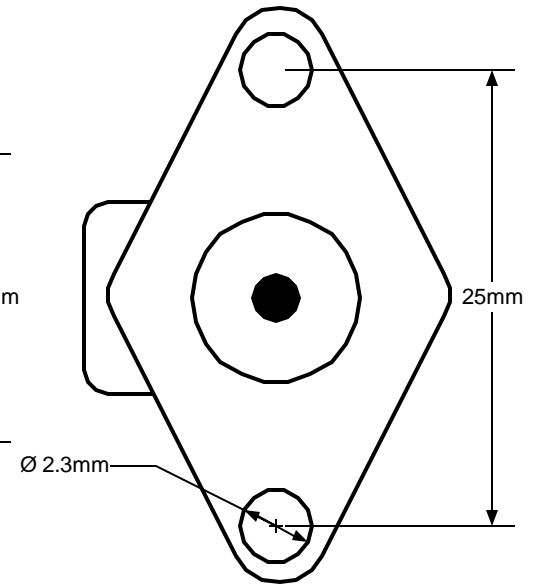
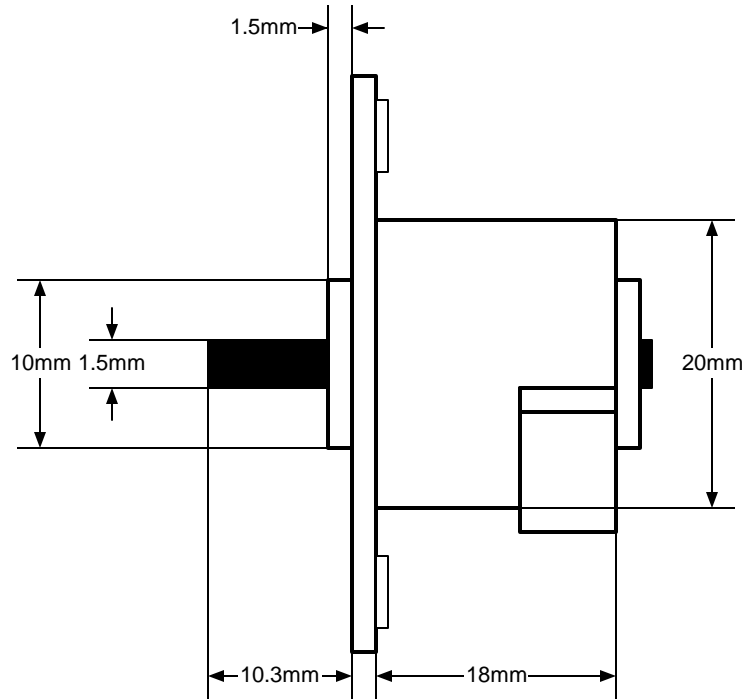
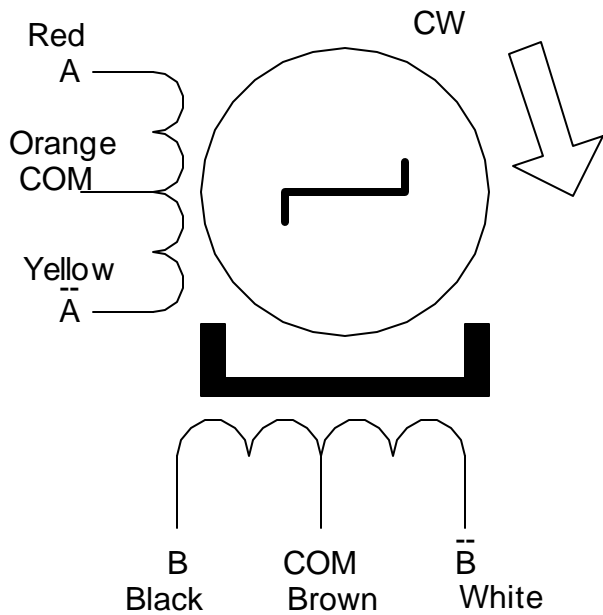
JAMECO[®]
ELECTRONICS

www.Jameco.com ♦ 1-800-831-4242

The content and copyrights of the attached
material are the property of its owner.



Step Angle: 7.5 degrees
No. of Phase: 4
Voltage: 5V
Current: 500mA
Resistance: 10 ohms
Holding Torque: 110g.cm
Detent Torque: 45g.cm



25BY4801		Jameco Part Number 237825		
SIZE	FSCM NO	DWG NO	REV	
SCALE		SHEET		